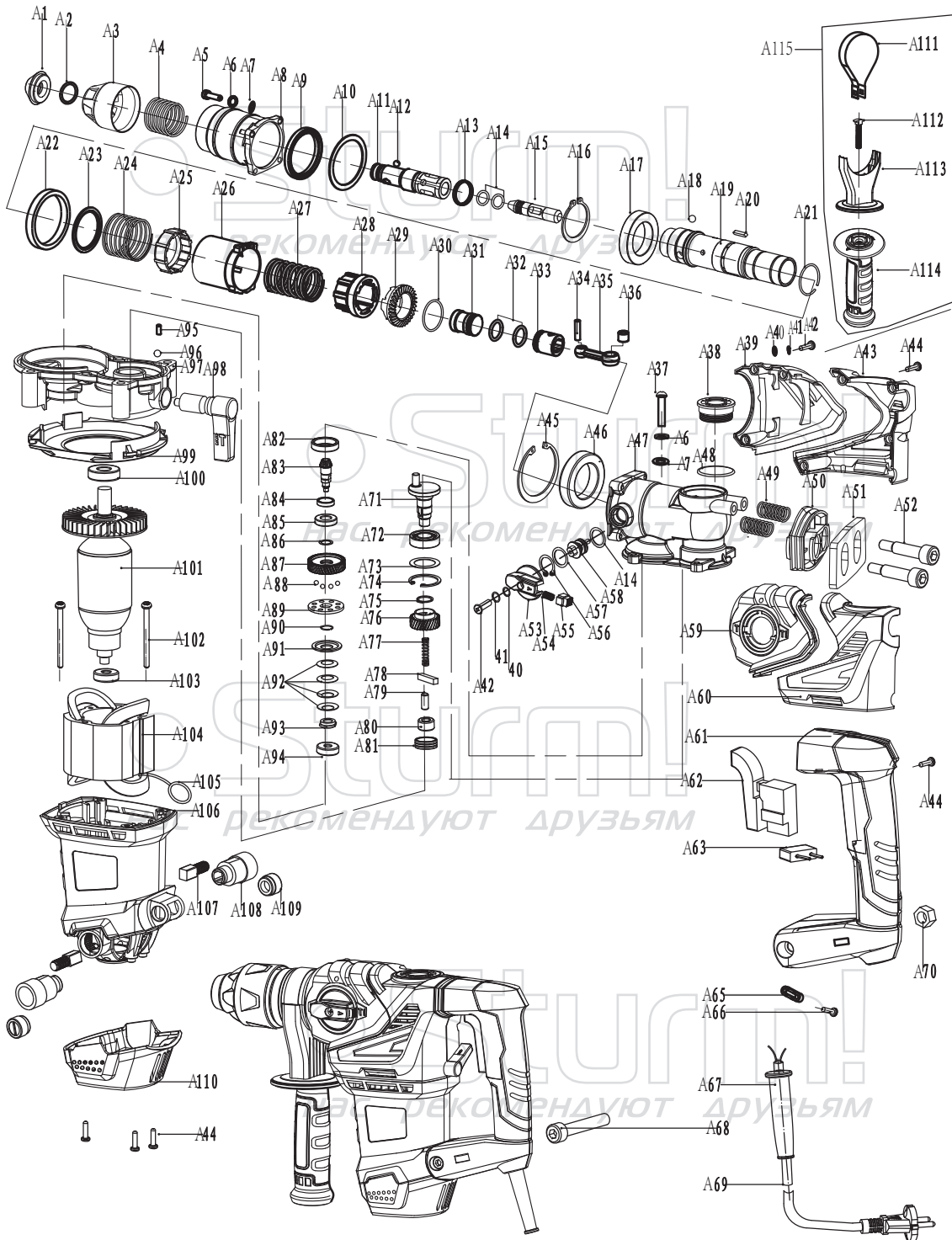


# RH2517



| NO. | DESCRIPTION                 | NO.  | DESCRIPTION           |
|-----|-----------------------------|------|-----------------------|
| A1  | RUBBER HEAD                 | A58  | DIAL TWIST            |
| A2  | STEEL RING 17.5*2           | A59  | LEFT ALUMINIUM COVER  |
| A3  | STEEL FRAME                 | A60  | LEFT PLASTIC COVER    |
| A4  | SPRING 30.2*1.8*76          | A61  | HANDLE                |
| A5  | SCREW                       | A62  | SWITCH                |
| A6  | WASHER                      | A63  | ELECTRIC CAPACITY     |
| A7  | WASHER                      | A65  | CABLE BOARD           |
| A8  | CYLINDER HOUSE              | A66  | SCREW                 |
| A9  | OIL SEAL 35*51*6            | A67  | CABLE SHEATH          |
| A10 | WASHER 45*54.5*1            | A68  | SCREW                 |
| A11 | TELEFLEX                    | A69  | CABLE                 |
| A12 | BALL Ø7.14                  | A70  | NUT M8                |
| A13 | X-RING 20.9*2.2*4           | A71  | ECCENTRIC SHAFT       |
| A14 | O-RING 11*2                 | A72  | BEARING6003           |
| A15 | IMPACT HAMMER               | A73  | WASHER 34.5X28.5X1    |
| A16 | WASHER                      | A74  | WASHER 35             |
| A17 | BEARING 6907-RZ             | A75  | WASHER 17             |
| A18 | BALL Ø7.94                  | A76  | GEAR                  |
| A19 | CYLINDER                    | A77  | SPRING                |
| A20 | FLAT KEY 3X2.5X18           | A78  | FLAT KEY              |
| A21 | RING 28X1.6                 | A79  | PIN                   |
| A22 | PLASTIC RING 47X55X7        | A80  | NEEDLE BEARING HK1210 |
| A23 | WASHER 38X47X1.5            | A81  | STEEL SLEEVE 26X22X9  |
| A24 | SPRING 42x2x28              | A82  | OIL SEAL 35*51*6      |
| A25 | PLASTIC SLEEVE              | A83  | GEAR                  |
| A26 | CHISEL LOCK DISTANCE SLEEVE | A84  | WASHER                |
| A27 | SPRING34*2.5*50             | A85  | BEARING6002           |
| A28 | CLUTCH                      | A86  | WASHER 14.1X19X0.5    |
| A29 | GAMP GEAR                   | A87  | GEAR 39 TEETH         |
| A30 | O-RING 28*1.8               | A88  | BALL 5                |
| A31 | RAMMER 25*30                | A89  | FIXED PLATE           |
| A32 | O-RING 19*3.1               | A90  | STEEL RING            |
| A33 | PISTON                      | A91  | ACTIVE PLATE          |
| A34 | PISTON PIN 6*23.5           | A92  | DISC SPRING           |
| A35 | CONNECTING ROD              | A93  | NUT M10*0.75          |
| A36 | STEEL SLEEVE12*10*8         | A94  | BEARING627            |
| A37 | SCREW                       | A95  | RUBBER COLUMN         |
| A38 | OIL COVER                   | A96  | BALL 4                |
| A39 | RIGHT ALUMINIUM COVER       | A97  | MIDDLE COVER          |
| A40 | WASHER 4                    | A98  | TWISTING FOR HAMMER   |
| A41 | FLAT WASHER 4               | A99  | FAN GUIDE             |
| A42 | SCREW M4*14                 | A100 | BEARING 6001Z         |
| A43 | RIGHT ALUMINIUM COVER       | A101 | ROTOR                 |
| A44 | SCREW ST3.9*16              | A102 | SCREW                 |
| A45 | WASHER 18                   | A103 | BEARING 608Z          |
| A46 | BUSH 30X47X9                | A104 | STATOR                |
| A47 | GEAR BOX                    | A105 | SPRING                |
| A48 | O-RING 31.5X2               | A106 | MOTOR HOUSING         |
| A49 | ANTI-VIBRATION SPRING       | A107 | BRUSH                 |
| A50 | ANTI-VIBRATION HOLDER       | A108 | BRUSH HOLDER          |
| A51 | ANTI-VIBRATION BOARD        | A109 | BRUSH COVER           |
| A52 | ANTI-VIBRATION SCREW M8*15  | A110 | BACK COVER            |
| A53 | TWO FUNCTION SWITCH         | A111 | HOOP                  |
| A54 | SPRING 0.6*4.5*17.5         | A112 | T-SHAPE SCREW M8*50   |
| A55 | BUTTON PIN                  | A113 | BRACKET               |
| A56 | WASHER 18                   | A114 | AUXILIARY HANDLE      |
| A57 | WASHER                      | A115 | AUXILIARY HANDLE ASS  |